



4200 kg



230 V

Basic-Line Lift

Item No.: TW 242 A

Description

Our starter model is now better than ever, with 2 height adjustable lifting pads and a very low drive-over (only 35 mm). With our Basic-line lift, it is possible to lift anything from a Smart to a small transporter.

Features

- 1A Quality built with CE-Certificate
- Manufactured in accordance to ISO 9001
- Mechanical safety locking mechanism
- High quality special profile supporting posts
- 2 Hydraulic cylinders for powerful lifting and lowering
- Automatic arm-locking system
- Steel cable synchronization
- Duel manual unlocking
- Telescopic lifting arms

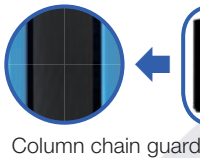
Delivery contents

- Lift incl. Power unit
- Heavy duty anchor bolts (10 pcs.)
- Rubber door protectors
- English instruction manual
- Examination book
- CE-Certificate
- *Product video online*
- *Assembly video online*



Note try our technical decision helper (on page 6) before buying your 2-post lift(s)!

optionally available:



Column chain guard

Transporter adapters (4 pcs.) See page 31!



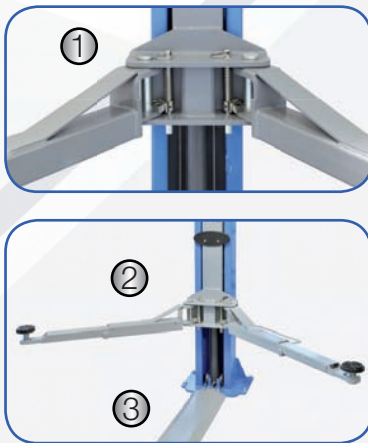
Product video



Assembly video

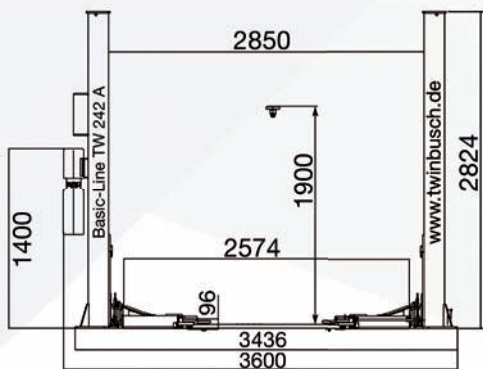


Details

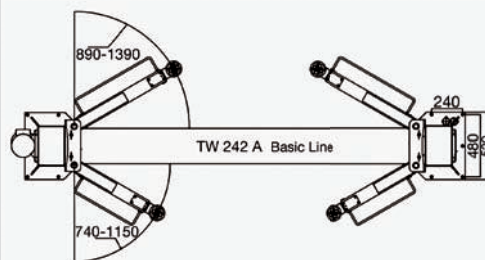


- (1) Automatic arm-locking system
- (2) Asymmetric lifting-arms
- (3) 35 mm high floor plate
- (4) IP 54 Electric-box
- (5) Powerful E-Motor
- (6) Door protector
- (7) Height-adjustable lifting pads
- (8) Low lifting point: 96 mm

Dimensions and technical data | The optional base plate reinforcement



If space is a problem, the lift can also be constructed narrower than the specified total width! How it works? Contact us!



Through experience the required concrete depth (foundation requirement of 200 mm) should be met, this must be checked by the customer. If in exceptional cases the foundation requirement is not met, we offer on page 31 a special solution, which can be used with a concrete thickness of 150 mm to 200 mm.

| Technical Data: TW 242 A | |
|----------------------------------|-----------------|
| Lifting capacity | 4200 kg |
| Lifting height max. | 1900 mm/Ad 2050 |
| Lowest lifting point | 96 mm |
| Lifting, lowering time (approx.) | 45/30 sec. |
| Power supply | 230 V |
| Motor power | 2,2 kW |
| Fusing | 16 A / type C |
| Weight (approx.) | 600 kg |